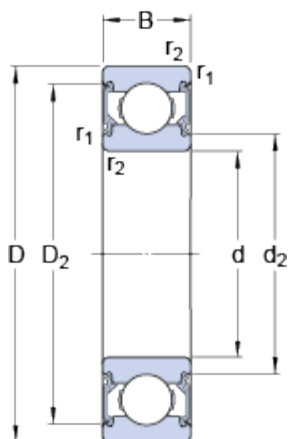


# 6205-2RSH

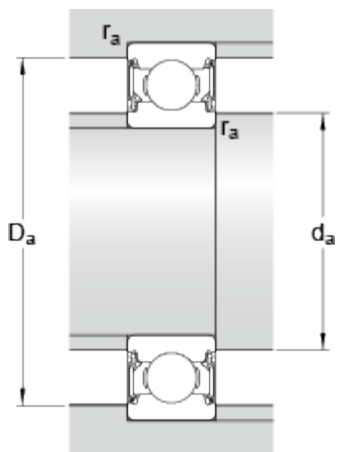
Popular item  
SKF Explorer

## Dimensions



|                  |        |    |
|------------------|--------|----|
| d                | 25     | mm |
| D                | 52     | mm |
| B                | 15     | mm |
| d <sub>2</sub>   | 31.3   | mm |
| D <sub>2</sub>   | 46.21  | mm |
| r <sub>1,2</sub> | min. 1 | mm |

## Abutment dimensions



|                |           |    |
|----------------|-----------|----|
| d <sub>a</sub> | min. 30.6 | mm |
| d <sub>a</sub> | max. 31.5 | mm |
| D <sub>a</sub> | max. 46.4 | mm |
| r <sub>a</sub> | max. 1    | mm |

## Calculation data

|                           |                |       |       |
|---------------------------|----------------|-------|-------|
| Basic dynamic load rating | C              | 14.8  | kN    |
| Basic static load rating  | C <sub>0</sub> | 7.8   | kN    |
| Fatigue load limit        | P <sub>u</sub> | 0.335 | kN    |
| Limiting speed            |                | 8500  | r/min |
| Calculation factor        | k <sub>r</sub> | 0.025 |       |
| Calculation factor        | f <sub>0</sub> | 14    |       |

## Mass

|              |      |    |
|--------------|------|----|
| Mass bearing | 0.13 | kg |
|--------------|------|----|