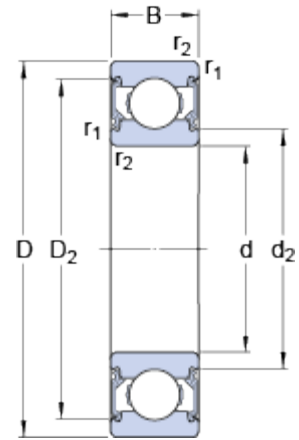




6204-2RSH

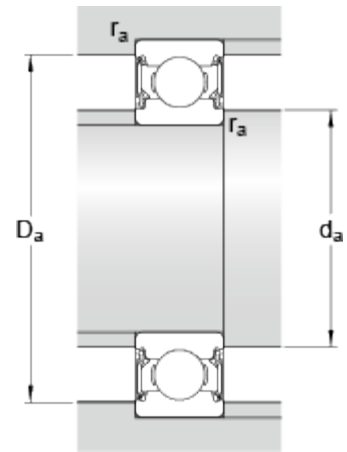
Popular item
SKF Explorer

Dimensions



d	20	mm
D	47	mm
B	14	mm
d ₂	25.46	mm
D ₂	40.59	mm

Abutment dimensions



d _a	min.	25.6	mm
d _a	max.	26	mm
D _a	max.	41.4	mm
r _a	max.	1	mm

Calculation data

Basic dynamic load rating	C	13.5	kN
Basic static load rating	C ₀	6.55	kN
Fatigue load limit	P _u	0.28	kN
Limiting speed		10000	r/min
Calculation factor	k _r	0.025	
Calculation factor	f ₀	13	

Mass

Mass bearing		0.11	kg
--------------	--	------	----