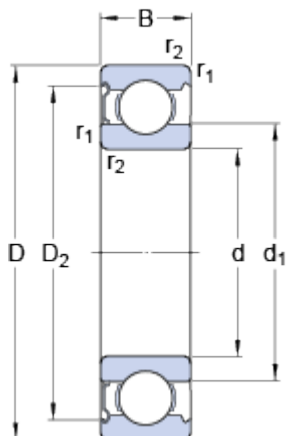


6207-Z

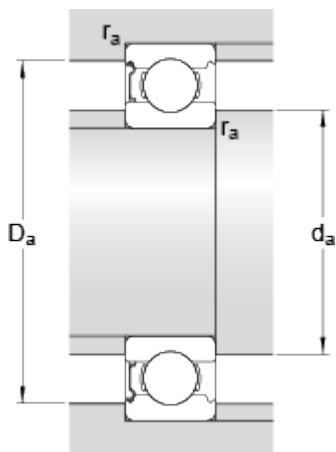
SKF Explorer

Dimensions



d	35	mm
D	72	mm
B	17	mm
d ₁	46.94	mm
D ₂	62.69	mm
r _{1,2}	min. 1.1	mm

Abutment dimensions



d _a	min. 42	mm
d _a	max. 46.8	mm
D _a	max. 65	mm
r _a	max. 1	mm

Calculation data

Basic dynamic load rating	C	27	kN
Basic static load rating	C ₀	15.3	kN
Fatigue load limit	P _u	0.655	kN
Reference speed		20000	r/min
Limiting speed		13000	r/min
Calculation factor	k _r	0.025	
Calculation factor	f ₀	13.8	

Mass

Mass bearing		0.29	kg
--------------	--	------	----