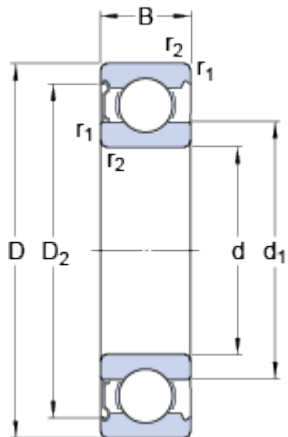


# 6209-Z

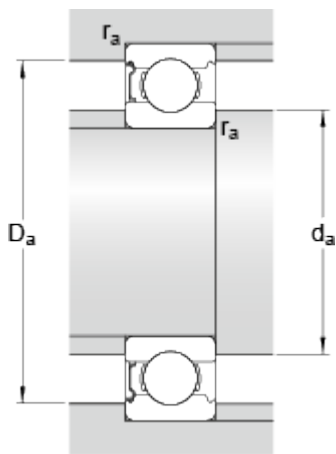
SKF Explorer

## Dimensions



d	45	mm
D	85	mm
B	19	mm
d <sub>1</sub>	57.6	mm
D <sub>2</sub>	75.19	mm
r <sub>1,2</sub>	min. 1.1	mm

## Abutment dimensions



d <sub>a</sub>	min. 52	mm
d <sub>a</sub>	max. 57.5	mm
D <sub>a</sub>	max. 78	mm
r <sub>a</sub>	max. 1	mm

## Calculation data

Basic dynamic load rating	C	35.1	kN
Basic static load rating	C <sub>0</sub>	21.6	kN
Fatigue load limit	P <sub>u</sub>	0.915	kN
Reference speed		17000	r/min
Limiting speed		11000	r/min
Calculation factor	k <sub>r</sub>	0.025	
Calculation factor	f <sub>0</sub>	14.2	

## Mass

Mass bearing	0.42	kg
--------------	------	----