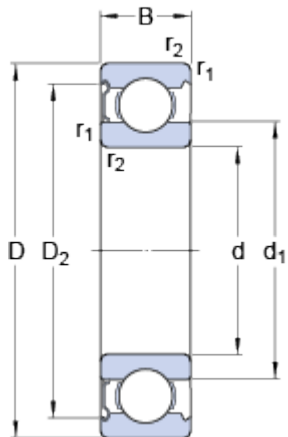


6309-Z

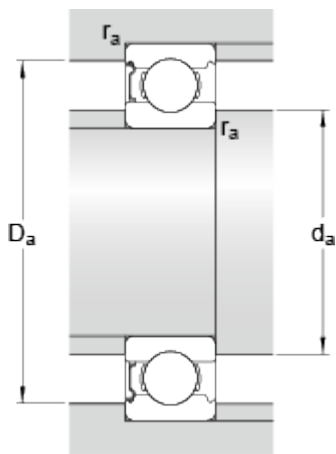
SKF Explorer

Dimensions



d	45	mm
D	100	mm
B	25	mm
d ₁	62.18	mm
D ₂	86.7	mm
r _{1,2}	min. 1.5	mm

Abutment dimensions



d _a	min. 54	mm
d _a	max. 62.1	mm
D _a	max. 91	mm
r _a	max. 1.5	mm

Calculation data

Basic dynamic load rating	C	55.3	kN
Basic static load rating	C ₀	31.5	kN
Fatigue load limit	P _u	1.34	kN
Reference speed		15000	r/min
Limiting speed		9500	r/min
Calculation factor	k _r	0.03	
Calculation factor	f ₀	13	

Mass

Mass bearing	0.85	kg
--------------	------	----