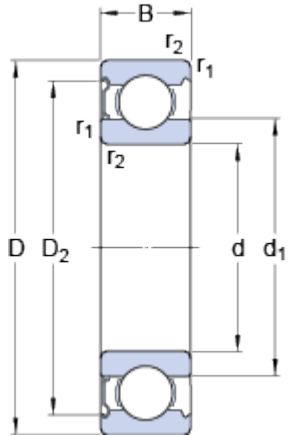


6312-Z

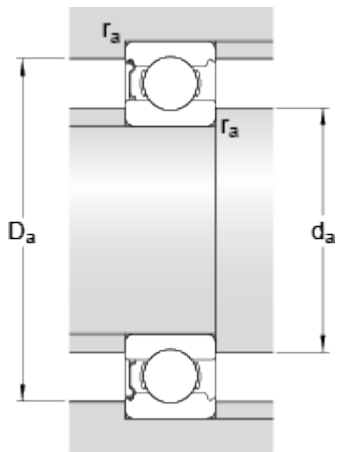
SKF Explorer

Dimensions



d	60	mm
D	130	mm
B	31	mm
d ₁	81.86	mm
D ₂	112.2	mm
r _{1,2}	min. 2.1	mm

Abutment dimensions



d _a	min. 72	mm
d _a	max. 81.8	mm
D _a	max. 118	mm
r _a	max. 2	mm

Calculation data

Basic dynamic load rating	C	85.2	kN
Basic static load rating	C ₀	52	kN
Fatigue load limit	P _u	2.2	kN
Reference speed		11000	r/min
Limiting speed		7000	r/min
Calculation factor	k _r	0.03	
Calculation factor	f ₀	13.1	

Mass

Mass bearing	1.74	kg
--------------	------	----