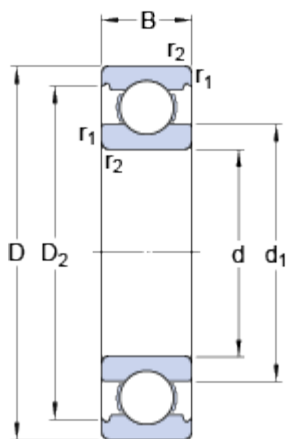


# 6316

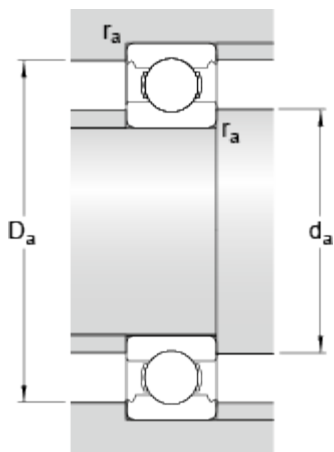
Popular item  
SKF Explorer

## Dimensions



d	80	mm
D	170	mm
B	39	mm
d <sub>1</sub>	108	mm
D <sub>2</sub>	146.9	mm
r <sub>1,2</sub>	min. 2.1	mm

## Abutment dimensions



d <sub>a</sub>	min. 92	mm
D <sub>a</sub>	max. 158	mm
r <sub>a</sub>	max. 2	mm

## Calculation data

Basic dynamic load rating	C	130	kN
Basic static load rating	C <sub>0</sub>	86.5	kN
Fatigue load limit	P <sub>u</sub>	3.25	kN
Reference speed		8500	r/min
Limiting speed		5300	r/min
Calculation factor	k <sub>r</sub>	0.03	
Calculation factor	f <sub>0</sub>	13.3	

## Mass

Mass bearing	3.63	kg
--------------	------	----